

DIFFERENTIAL PRESSURE FLOW METERS



FEATURES:

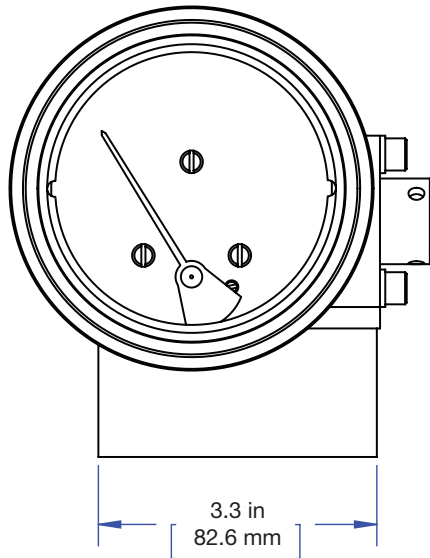
- Large, rugged flow nozzle for minimal pressure drop
- Isolated magnetic movement
- highly visible 3.5" gauge
- 1/2" or 2" NPT ports
- PVC or CPVC bodies; FKM or EPDM seals
- Long life, wear-resistant design
- No wetted metal parts
- Non-clogging design

This design features a spring-loaded diaphragm and magnetic movement to measure the pressure drop across a fixed orifice. Flow rate is proportional to the square root of the resulting differential, and directly displayed on the dial as gallons per minute. The magnetic movement is isolated from the liquid, with no linkages or other

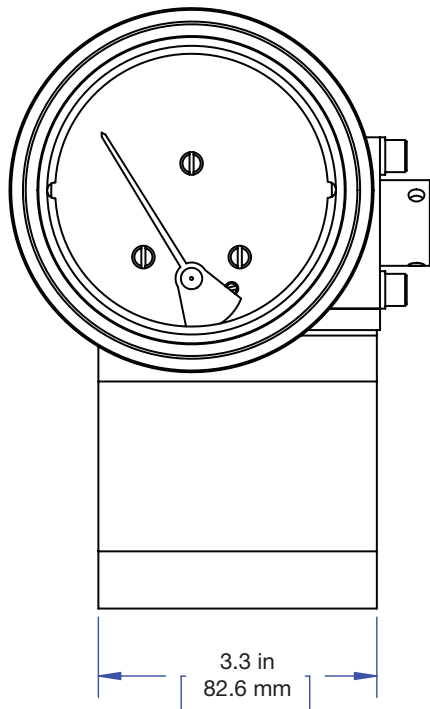
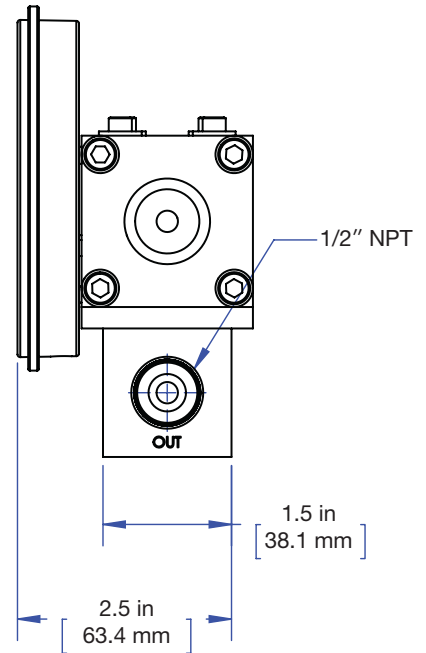
mechanical parts prone to variations or failure. Overall accuracy is 2% full scale. These gauges feature a 5:1 turndown ration; dial starting mark is 20% of full scale. Maximum pressure rating is 100 PSI. Connections are FNPT. For other options, please contact factory.

PIPE SIZE	BODY MATERIAL	GAUGE RANGE GPM	PART NUMBER
1/2" NPT	PVC	0 - 10	DPFM050V-PV-10
2" NPT	PVC	0 - 50	DPFM200V-PV-50
2" NPT	PVC	0 - 100	DPFM200V-PV-100
2" NPT	PVC	0 - 200	DPFM200V-PV-200
1/2" NPT	CPVC	0 - 10	DPFM050V-CP-10
2" NPT	CPVC	0 - 50	DPFM200V-CP-50
2" NPT	CPVC	0 - 100	DPFM200V-CP100
2" NPT	CPVC	0 - 200	DPFM200V-CP-200

DIFFERENTIAL PRESSURE FLOW METERS



DPFM 050



DPFM 200

