

PLAST-O-MATIC CHEMICAL FLOW AND LEVEL INDICATORS OFFER A SAFE AND ECONOMICAL MEANS OF INDICATING FLOW, CLARITY, OR EXACT LEVEL OF EXTREMELY CORROSIVE AND ULTRA-PURE LIQUIDS SUCH AS SULPHURIC ACID, HYDROCHLORIC ACID, CHLORINE, CAUSTICS, AND DEMINERALIZED WATER.

Two essential considerations in the choice of a flow or level indicator should be its strength and design simplicity since these factors minimize malfunctions and maintenance problems. All **PLAST-O-MATIC** flow and level indicators are designed to withstand reasonable external shocks. Simplicity is their engineering standard. These flow indicators are available in three different models—Series “GX,” “GY” and “GYW.” The level indicators are available in one model—Series “GL.” All are easy to install, practically maintenance free, and above all, easy to view whenever necessary.

Advantages of PLAST-O-MATIC flow and level indicators.

- Large 360° viewing area.
- Series “GY,” “GYW” and “GL” have double wall construction for maximum safety.
- Full flow design (no corners to collect debris).
- Wide choice of select plastic materials to assure maximum chemical compatibility.
- Little or no maintenance required.
- No special hardware required for installation (completely assembled and pre-tested).

DESIGN

PLAST-O-MATIC flow and level indicators are designed to indicate the presence or clarity of liquid in a piping system or to indicate level in a tank. They offer a maximum viewing area with a full 360° visibility for dependable observation and inspection from a reasonable distance.

With the exception of the Series “GX” flow indicator, which can only be used for liquids compatible with acrylic, all **PLAST-O-MATIC** indicators utilize a double wall construction. All inner walls are Pyrex* for maximum corrosion resistance, and all outer walls are high impact acrylic which acts as an armored shield against external shocks (please see “Cylinder Wall Information” section).

O-ring seals are used on all **PLAST-O-MATIC** indicators allowing them to seal at extremely low pressures as well as high pressures. In the Series “GYW” wafer style flow indicators, O-ring seals are also supplied for both ends eliminating the need for flange gaskets.

All **PLAST-O-MATIC** flow indicators are full ported eliminating any possible flow resistance. They are available with an optional mechanical fluttering device to indicate the presence of flow that would otherwise be difficult to see (please see “Fluttering Devices” section).

For operating pressure and temperature specifications please consult Page 6 of this catalog.

MATERIALS OF CONSTRUCTION

A wide choice of plastic indicator end materials is offered to assure maximum chemical compatibility. Ends on Series “GX” indicators are PVC (TYPE 1, GRADE 1 Polyvinyl Chloride) and Polypropylene. Ends on Series “GY” and “GL” indicators are either PVC, Polypropylene or Teflon. ** Ends on Series “GYW” indicators are PVC, CPVC (Chlorinated Polyvinyl Chloride), Polypropylene, Teflon or Kynar.†.

Standard O-ring seals on Series “GX” indicators are either Buna-N or Viton.** On Series “GY,” “GYW” and “GL” indicators Viton O-rings are standard.

Standard fasteners are stainless steel on Series “GX,” “GY” and “GYW” flow indicators. Fasteners are not used on Series “GL” level indicators.

The transparent inner cylinder walls used in the Series “GY,” “GYW” and “GL” indicators are Pyrex*. The transparent outer cylinder walls used in all **PLAST-O-MATIC** indicators are high impact strength acrylic.

OPERATION

When properly installed **PLAST-O-MATIC** flow and level indicators are automatic in operation and require little or no attention.

These flow indicators will easily show the flow of turbulent liquids without assistance from fluttering devices. With clear or opaque liquids that are not turbulent and do not contain entrained air bubbles, the flow may be difficult to see. In this case a **PLAST-O-MATIC** fluttering device within the cylinder will indicate movement of the liquid.

INSTALLATION

All **PLAST-O-MATIC** flow and level indicators are easily installed in a piping system. The flow indicators may be installed either vertically or horizontally; however, the level indicators can only be installed vertically.

Both the Series "GX" and "GY" flow indicators are simply threaded into a piping system. They should only be connected to plastic fittings. Male threads should be wrapped with teflon tape or other acceptable pipe sealant and only made hand-tight, followed by a one-quarter turn more. Greater forces tend to stretch or distort the plastic material which could lead to future rupture. Do not use pipe wrenches or connect to a metal pipe. This could cut into the plastic and also cause a future rupture.

The Series "GYW" (wafer design) flow indicators simply slip between two smooth faced companion flanges that may be either metal or plastic. Flange gaskets are not required as these flow indicators are supplied with two O-rings for just that purpose. Care should be taken so there is no misalignment of the flanges. Flange bolts should be tightened gradually alternating between opposite bolts to insure that the assembly pulls together evenly. The final 1/16" of tightening should be done with a torque wrench set between 10 and 15 foot pounds. This will seal the O-rings without placing uneven or excessive stresses on the assembly.

Although these flow indicators have no specific inlet or outlet, care should be exercised when installing such units that have streamers for fluttering devices. They must be installed in such a manner that the fluid flow will force the streamers into the indicator's viewing area.

The Series "GL" level indicators, usually mounted on the outside of a tank wall, must be installed vertically and are supplied with female threads. Refer to "GX" and "GY" installation instructions. In addition, it is advisable to connect these level indicators to a tank with true-union ball valves. This way the level indicators may be removed from the piping for cleaning or inspection while there is still liquid at that level in the tank.

Although the Series "GL" level indicators are only available up to a maximum nominal length of 4

feet, they can be installed on tanks of greater heights. In this case it is recommended that they be installed in a staggered position where the visual length is uninterrupted. This type of installation will eliminate any visual dead spots. Do not connect them together with pipe nipples as it will create visual dead spots and an unstable assembly.

CYLINDER WALL INFORMATION

Clearly, any flow or level indicator is only as good as the quality of its cylinder wall(s) since this is where the viewing takes place. The transparent cylinder walls used in **PLAST-O-MATIC** flow and level indicators are chosen for characteristics such as high corrosion resistance, high impact strength, and high light transmission.

The inner transparent cylinder walls used in the Series "GY," "GYW" and "GL" indicators are Pyrex, a borosilicate glass of very low alkali content that resists attack from most bases and acids with the exception of hydrofluoric acid and sodium hydroxide. This is the same material used in manufacturing glass pipe that is extensively used in the chemical, food, beverage and pharmaceutical industries.

The outer transparent cylinder walls used in all **PLAST-O-MATIC** indicators are manufactured of a high impact strength acrylic. This material possesses uniform optical quality and has an extremely high light transmission factor, which is of great importance when the color or clarity of your liquid is a prime consideration. Acrylic cylinder walls are ultra-violet resistant.

FLUTTERING DEVICES

All **PLAST-O-MATIC** flow indicators can be used to indicate the presence of liquid flow when the liquid lends itself to turbulence or has entrained air bubbles that make viewing effortless. When the liquid is either clear or opaque a mechanical device is required to identify liquid movement. In such applications the use of **PLAST-O-MATIC** optional fluttering devices is a necessity. Optional vinyl streamers that flutter in the presence of flow are available for Series "GX" and "GY" flow indicators. The Series "GYW" flow indicators employ an optional Viton device which flutters in the presence of flow.

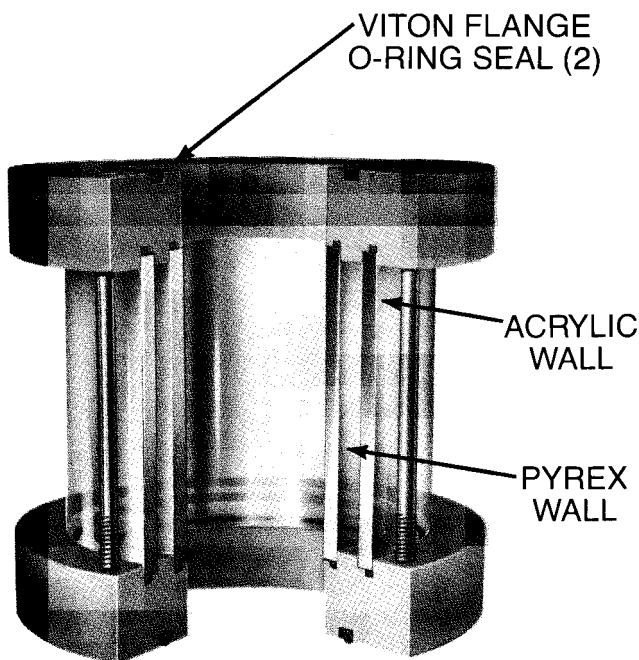
*Registered trade mark of Corning Glass Works.

**Registered trade mark of E. I. DuPont Company.

†Registered trade mark of ELF ATOCHEM

Series "GYW"

WAFER STYLE DOUBLE CYLINDER WALL FLOW INDICATORS



Series "GYW" flow indicators utilize a double wall construction and are used on flanged piping systems handling highly corrosive or ultra-pure liquids compatible with Pyrex glass. They cannot be used with hydrofluoric acid or sodium hydroxide as they will etch the Pyrex cylinder wall. Polypropylene ends are standard and are also the least expensive; however, PVC, CPVC, Teflon and Kynar ends are also available. Viton seals are standard. These indicators will fit 1-1/2" through 8" smooth face standard companion flanges as well as DIN (European standard) flanges. Two flange O-ring seals are supplied; therefore, other gasketing materials are not required. An optional fluttering device is also offered. Please consult pages 6 and 7 for dimensions and pressure and temperature specifications.

ORDERING INFORMATION

| <u>Inches</u> | <u>Pipe Sizes</u> <u>Millimetres</u> | <u>Polypropylene</u> <u>End Material</u> |
|---------------|---|---|
| 1-1/2 | 40 | GYW150V-PP |
| 2 | 50 | GYW200V-PP |
| 3 | 80 | GYW300V-PP |
| 4 | 100 | GYWX400V-PP |
| 6 | 150 | GYWX600V-PP |
| 8 | 200 | GYWX800V-PP |

The above part numbers are for Polypropylene ends. For PVC ends change "-PP" to "-PV." For CPVC ends change "-PP" to "-CP." For Teflon ends change "-PP" to "-TF." For Kynar ends change "-PP" to "-PF." If a fluttering device is required conclude part numbers with "-S." If DIN installations are required please specify "For DIN" assembly." Stainless steel fasteners are standard.