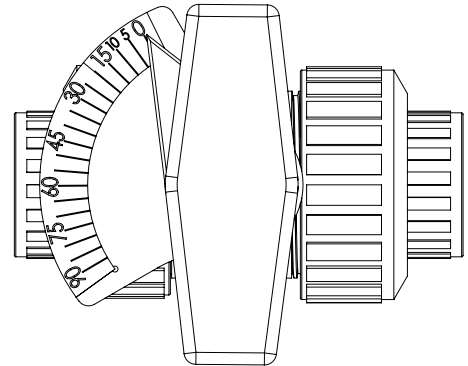


METERING MANUAL BALL VALVE



FEATURES:

- For use with True Blue Ball Valves with or without ZC angle characterized balls, ½" - 2 sizes.
- Available as complete valve assembly or as kit for field retrofit.
- Metering parts fabricated from corrosion-resistant thermoplastic; color may vary.



KIT NUMBER	BALL VALVE SIZE	H		H1	
		IN.	MM.	IN.	MM.
MBVM-1.2	½"	2.4	60.4	3.4	85.8
MBVM-1.6	¾" - 1"	3.2	81.0	4.4	112.3
MBVM-2.5	1¼" - 2"	4.2	107.5	6.3	159.2

Part numbers shown are for field retrofit. For new valve, add -M suffix to full part number. Example: MBV100VT-PV-C4-M.

