

EXPRESS COOLING STICKS

Supply and Return Sticks designed in the most popular configuration for rapid construction

By eliminating extra bushings, pipe nipples, tees – and the extra joints – the Plast-O-Matic Express Cooling Water Stick tests 1300% stronger than a typical contractor installation



APPEARANCE VARIES BY SIZE & COMPONENT SELECTION



SUPERIOR FEATURES

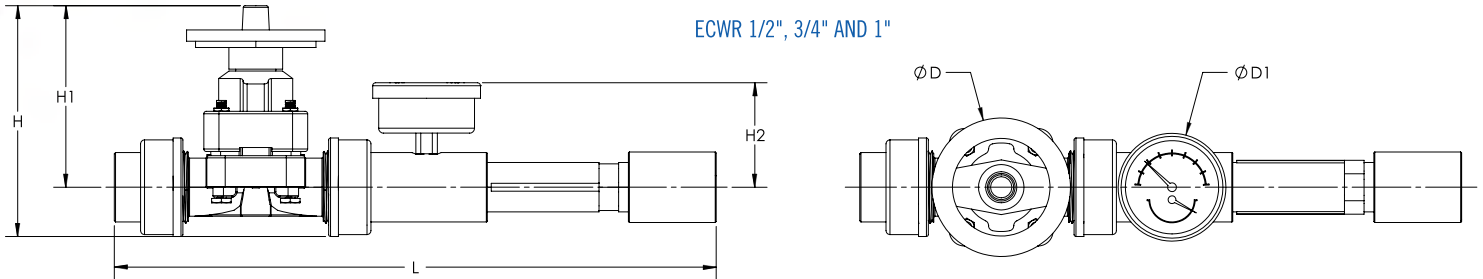
- ½" through 2" pipe sizes
- All sticks are reinforced to minimize possibility of damage
- PVC or CPVC body materials
- Socket end connectors, and EPDM standard
- Wetted metals on gauge or tridicator, and flow meter (stainless steel)
- All units built in USA and individually tested

Supply Stick: Premium pressure regulator, pressure gauge or tridicator, and quarter-turn trunnion design ball valve in a compact, rugged design. Pressure regulator offers set pressure range from 5 to 125 psi.

Return Stick: Diaphragm valve, pressure and temperature gauge, and in-line flow meter with visual indicators in a small footprint stick. Gauge face and flow meter are aligned for quick, at-a-glance reading. Flow meter range must be specified. Note that 1½" and 2" sizes have union nut connections to improve alignment and serviceability. For alternate configurations, please refer to PCW Series.

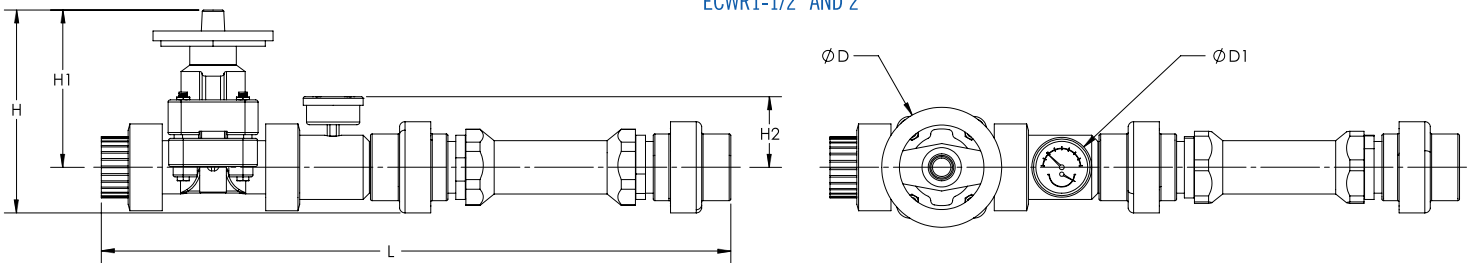
ECWR

ECWR 1/2", 3/4" AND 1"



MODEL	SIZE	L		H		H1		H2		ØD		ØD1	
	IN.	IN.	MM.	IN.	MM.	IN.	MM.	IN.	MM.	IN.	MM.	IN.	MM.
ECWR050XX-X-PV	1/2	15.3	388	5.9	150	4.6	118	2.8	71	3.5	90	2.8	70
ECWR075XX-X-PV	3/4	15.3	388	5.9	150	4.6	118	2.8	71	3.5	90	2.8	70
ECWR100XX-X-PV	1	15.3	388	5.9	150	4.6	118	2.8	71	3.5	90	2.8	70
ECWR150XX-X-PV	1-1/2	28.5	724	7.6	193	5.5	139	3.3	84	4.6	118	2.8	70
ECWR200XX-X-PV	2	28.9	734	9.3	237	7.2	184	3.2	82	5.5	140	2.8	70

ECWR1-1/2" AND 2"



Note: All dimensions on the 1/2" and 3/4" ECWR assemblies were changed on 4/14/2022.

Dimension "L" changed on 1 1/2" model from 23.7/601 and on 2" model from 24.1/612 on 10/5/2020.

ORDERING INFO

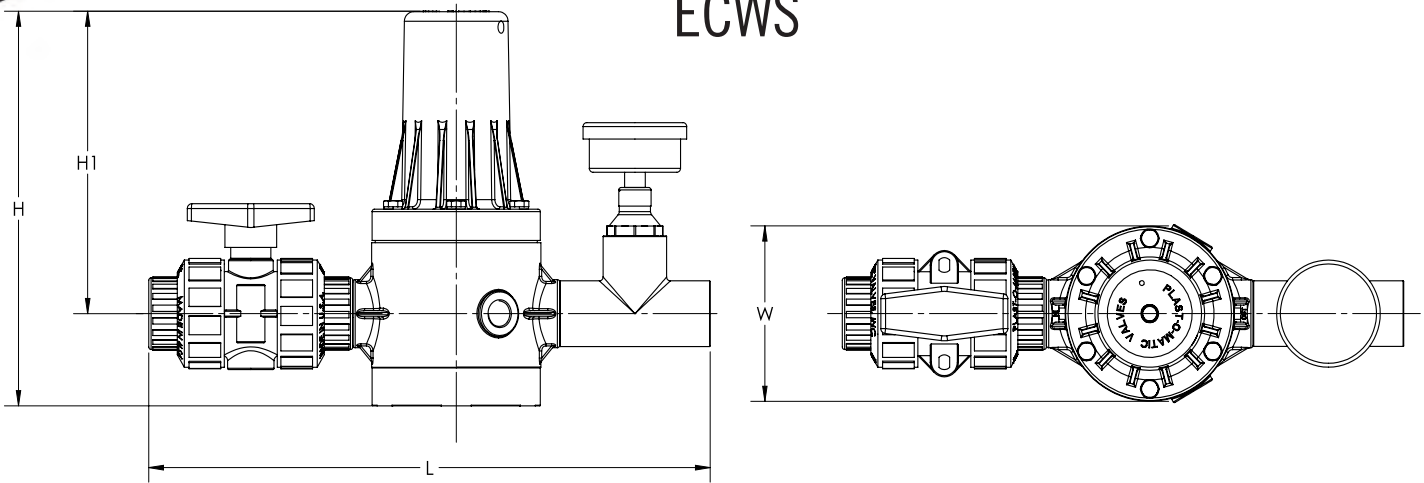
Return Side – Manual Diaphragm Valve,
Pressure/Temperature Tridicator, Flowmeter

Pipe Size	PVC	Flow Meter	
1/2"	ECWR050EPS-X-PV	A – 0.5-4 GPM	} 1/2" - 1" Sizes
3/4"	ECWR075EPS-X-PV	B – 1.0-7 GPM	
1"	ECWR100EPS-X-PV	C – 1.0-10 GPM	
1 1/2"	ECWR150EPS-X-PV	D – 3.0-16 GPM	
2"	ECWR200EPS-X-PV	F – 4.0-28 GPM	} 1 1/2" - 2" Sizes
		G – 2.0-25 GPM	
		H – 5.0-50 GPM	
		I – 7.0-75 GPM	

Models shown with PVC body, EPDM seals, socket connection. For CPVC, change -PV to -CP.

NOTE: Must replace "X" with letter indicating flow meter range from chart.

ECWS



MODEL	SIZE	L		H		H1		W	
	IN.	IN.	MM.	IN.	MM.	IN.	MM.	IN.	MM.
ECWS050XX-PV	1/2"	9.6	253	8.8	222	6.6	168	3	76.2
ECWS075XX-PV	3/4"	13	332	10.2	258	7.8	198	4.6	116
ECWS100XX-PV	1"	14.9	379	10.2	258	7.8	198	4.6	116
ECWS150XX-PV	1-1/2"	16.9	429	12	304	9	228	4.9	124
ECWS200XX-PV	2"	18.4	468	12	304	9	228	4.9	124

Note: Configuration of ECWS (all sizes) changed on 10/12/2022.

ORDERING INFO

Supply Side – PRHM Pressure Regulator, MBV Ball Valve, Pressure Gauge or Tridicator

Pipe Size	PVC w/ Pressure Gauge	PVC w/ Tridicator
1/2"	ECWS050EPS-PV	ECWST050EPS-PV
3/4"	ECWS075EPS-PV	ECWST075EPS-PV
1"	ECWS100EPS-PV	ECWST100EPS-PV
1 1/2"	ECWS150EPS-PV	ECWST150EPS-PV
2"	ECWS200EPS-PV	ECWST200EPS-PV

Models shown with PVC body, EPDM seals, socket connection. For CPVC, change -PV to -CP. 0-100 PSI Plast-O-Matic Pressure Gauge is center back mounted to regulator.

