

### FLUID PRESENCE SENSOR FOR CONDUCTIVE LIQUIDS



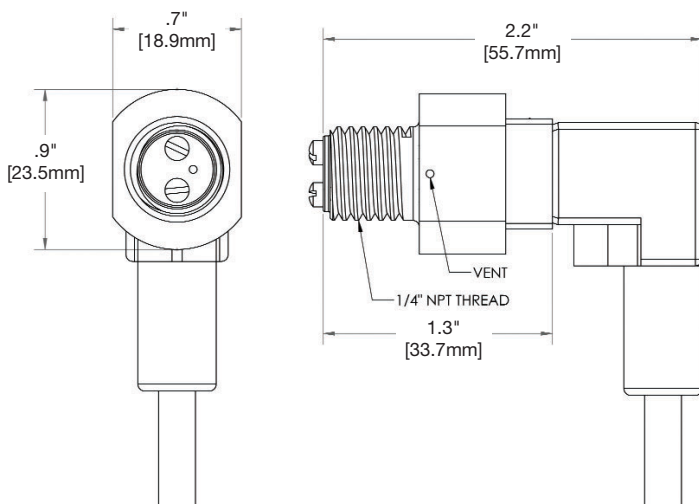
Series FPS provides low voltage signal and when liquid is present in non-pressurized piping or components. In most applications, it is recommended to remove, clean, and reinstall the detector once the sensor is triggered. In the event that the sensing points are damaged by a highly aggressive chemical, the detector section can be easily replaced.

- Suitable for any conductive liquid with a resistance less than 3 Megohm.
- Low DC voltage control wire signals presence of liquid.
- IP67 DIN Connector with 2M molded cordset included.
- 1/4" Connection; 1/8" optional for use with Fail-Dry.®



Ideal for leak detection, water sensing, relief tanks, any non-pressurized location where the system operator must be alerted to the unexpected presence of liquid.

Sensor available in PVC, CPVC, Natural Polypropylene, and PVDF. Sensing points are 18-8 stainless steel. Rated for maximum 4 amps.



Connection Size	Sensor Material	Part Number
1/4"	PVC	FPS025-PV
1/4"	CPVC	FPS025-CP
1/4"	PP	FPS025-PP
1/4"	PVDF	FPS025-PF